

Glass Vacuum Lifters

33

Kombi 7001-ABs Single Circuit

Kombi 7001-ABs Single Circuit [1200kg]

A lifter designed for the vertical transport of large sheet glass in workshops, the single circuit 7001-ABs features eight standard pads expandable up to twelve using the additional suction cups and extension arms supplied.

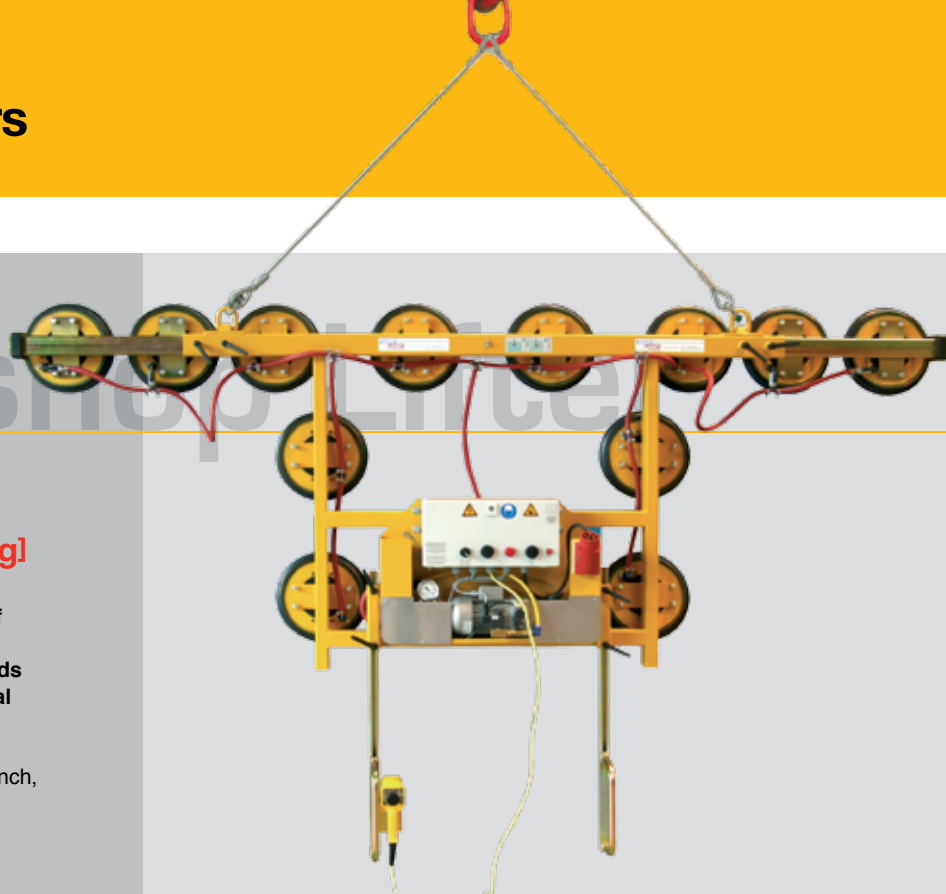
Designed for use with an overhead crane or winch, the cable remote control and guidance handles make this lifter easy to use for operators.

Key Features

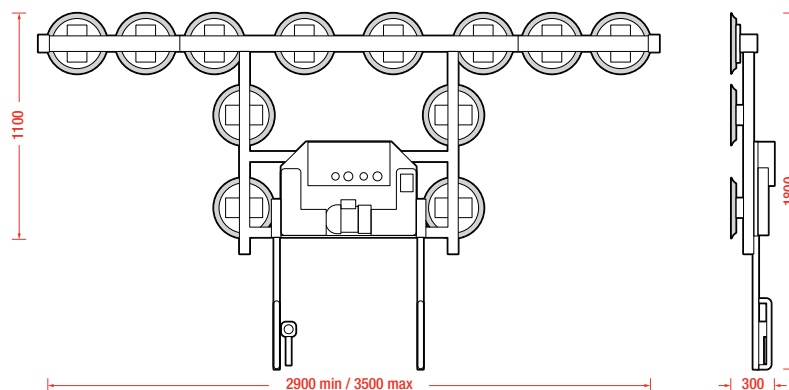
- Capacity: 800-1200kg
- Single circuit vacuum system
- Vacuum reserve tank
- On-board maintenance-free vacuum pump
- Powered by 415v 3-phase mains electric
- Audio-visual low vacuum warning
- Cable remote control as standard
- Two extension arms and pads included as standard
- Detachable guidance handles

Reference Code

VGL95



Technical Data (mm)



Technical Specifications

Safe working load (smooth, clean surface at 60% vacuum)	capacity:	1200kg	800kg
Number of suction cups	cups:	12	8
Suction cup	description:	black rubber, not abrasion resistant, heat resistant up to 100°F	
Suction cup diameter	diameter:	300mm	
Suitable for lifting	material properties: surface: example:	gastight / non-porous smooth glass, plastic boards, ceramic plates, sheet metals, coated boards	
Weight of lifter	approx:	128kg	108kg
Depth of lifter	depth:	300mm	
Vacuum system	single circuit:	1 pump, 1 vacuum reserve tank	
Voltage	voltage:	415v 3-phase	
Standard accessories	standard:	2 x adjustable extension arms and pads, cable remote control	