



Technical Specification Sheet

Stone Dolly [AGT21]

Lift and shift heavy concrete and stone slabs easily - even up and down stairs - with this handy stone dolly.

Capable of moving dense stone weighing up to 320kg and 50mm thick, this stone trolley is a practical way to shift stone slabs, memorials and headstones across uneven ground.

A self-locking rubber clamp holds the slab firmly in place whilst a special rubber-faced stair support swings into place for smooth ascent and descent of stairs and steps. Suitable for vertical or horizontal stone pieces.

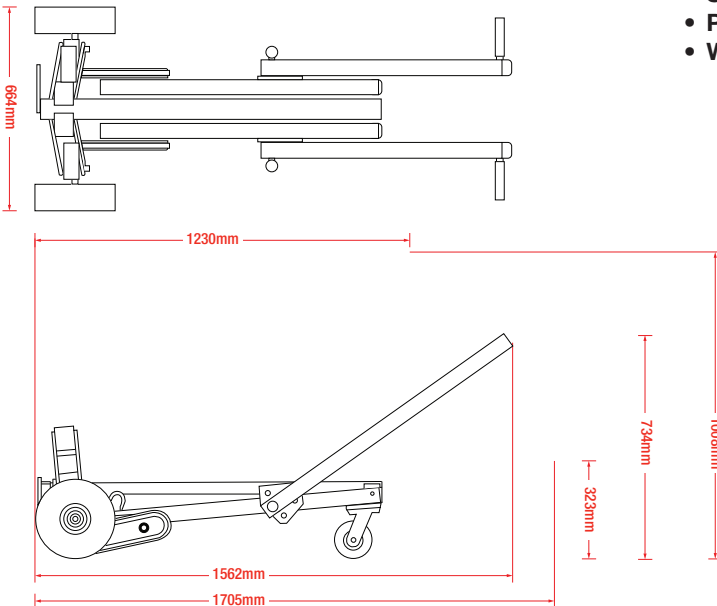
Soft-grip handles can be adjusted in two positions: high for moving stone across smoother ground and low for rougher terrain.

Highly mobile, the Stone Dolly has a stable wheel base and pivoting wheel for easy turning and shifting.

Features

- Capacity: 320kg
- Length adjustable from: 1230mm - 1705mm
- Height adjustable from: 323mm - 1008mm
- Width: 664mm
- 50mm maximum sheet thickness
- Transports stone in an upright position
- Self-locking rubber clamp holds stone firmly in place
- Stable wheel base with non-marking pneumatic tires
- Pivoting wheel for easy turning and shifting
- Weight: 38kg

Dimensions - (mm)



HIRE OR PURCHASE TODAY - CALL OUR SPECIALIST TEAM ON:

North: +44 (0)161 683 2580 - South: +44 (0)1844 202 071 - Scotland: +44 (0)1698 824 444