



Technical Specification Sheet

Liftboy 700 [MCO90]

The Liftboy 700 is a counterbalanced floor crane with added power for handling and transporting heavy loads up to 700kg.

This electric floor crane has a compact 763mm width and powered drive so it can be easily manoeuvred into position on congested sites. Ideal for handling industrial equipment, stacks of building materials and unitized glazing when fitted with a vacuum lifter, the Liftboy 700 has supportive struts on its base and can travel at a speed of up to 2.5km/h with a load.

With a convenient on-board battery charger, the Liftboy 700's powered boom can move up and down as well as telescoping in and out for precisely lifting loads from the ground up. This floor crane takes the strain out of lifting to a height of 3.3 metres and has a maximum reach of 2.3 metres (at 200kg capacity).

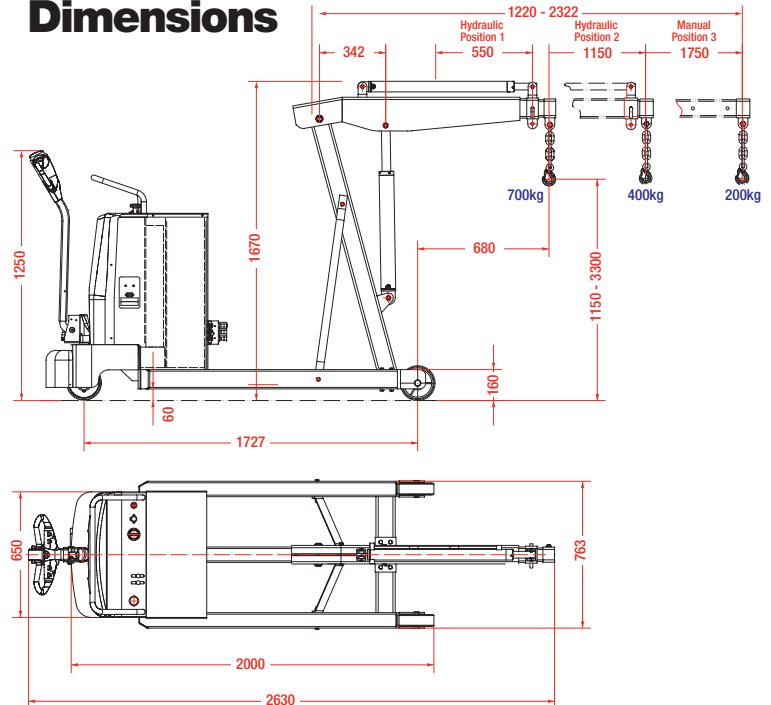
Technical Specification

Capacity Position 1 (550mm)	700kg
Capacity Position 2 (1150mm)	400kg
Capacity Position 3 (1750mm)	200kg
Power	Battery
Unloaded Drive Speed	3.0km/h
Loaded Drive Speed	2.5km/h
Unloaded Gradeability	±10%
Loaded Gradeability	±5%
Weight	650kg

Features

- Capacity: 700kg (minimum extension) / 200kg (maximum extension)
- Dimensions: 1670mm (h) x 763mm (w)
- Maximum hook height: 3300mm
- Maximum reach: 2322mm
- Boom type: hydraulic with manual third section
- Weight of crane: 650kg
- 24V/70AH battery
- Integral battery charger
- Maximum speed with load: 2.5km/h

Dimensions



HIRE OR PURCHASE TODAY - CALL OUR SPECIALIST TEAM ON:

North: +44 (0)161 683 2580 - South: +44 (0)1844 202 071 - Scotland: +44 (0)1698 824 444