

## Glassmax 250 [250kg x 7.5m]

The lightweight manual Glassmax hoist can be combined with a GGR vacuum lifter for quick and effective installation of vertical glazing.

The Glassmax hoist can handle loads of up to 250kg to a hook height of 7.5 metres. The Glassmax is simple to build and dismantle, with removable counterweights, making it easy to transport to site.

An optional fork attachment can be used for the installation of HVAC units, pipes, ducts and palletised loads.

### Technical Specifications

<b>Capacity</b>	250kg
<b>Max. hook height</b>	7.5m
<b>Width</b>	800mm
<b>Length</b>	2130mm
<b>Weight (exc. counterweights)</b>	230kg
<b>Weight (inc. counterweights)</b>	330kg

### Key Features

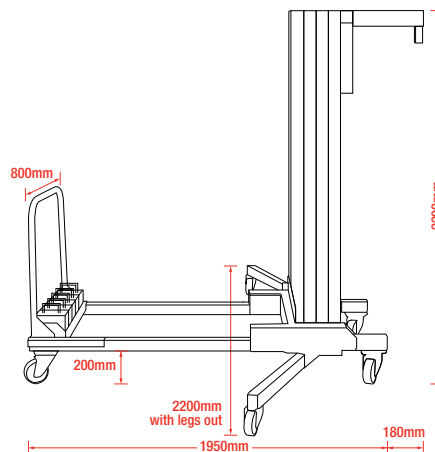
- Capacity: 250kg
- Multi-functional lightweight manual hoist
- Easily assembles and disassembles for transport by van
- Counterweight system
- Ideal for vertical glazing when combined with a vacuum lifter
- Optional 240v powered winch available
- Vacuum lifter sold/hired separately

### Reference Code

**MCO07**



### Technical Data (mm)



Note: Weights must be secured before lifting

