

Glassboy 330 [330kg]

The Glassboy 330 is a versatile counterbalanced floor crane that is a proven best seller thanks to its easy-to-assemble, highly portable frame, and flexibility to assist in a broad range of applications.

With the ability to handle loads of up to 330kg and a maximum hook height of 2.7m, the Glassboy 330 is a compact and reliable lifting aid. When combined with a range of below-the-hook devices such as GGR Group's vacuum lifters, it is ideal for shop-front glazing and fitting below overhangs. The Glassboy 330 can also be positioned between floors or on rooftops.

Technical Specifications

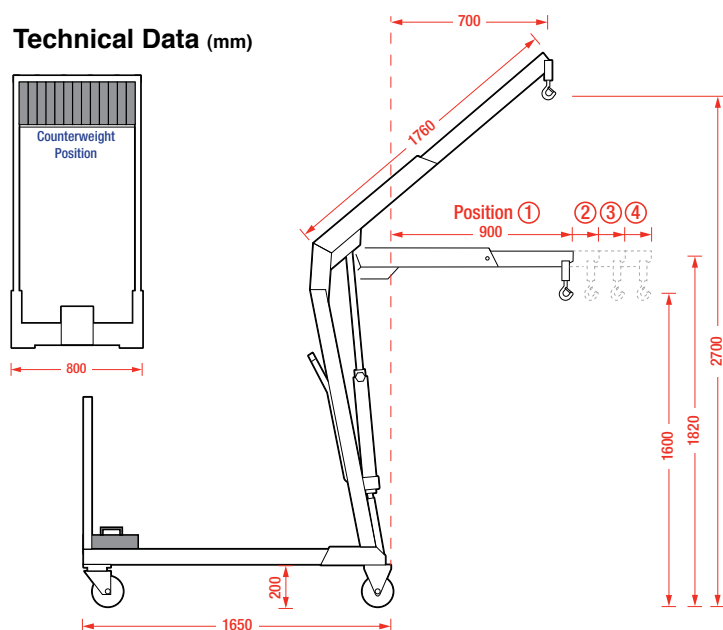
	Capacity	Arm Extension
Position 1	330kg	900mm
Position 2	300kg	1020mm
Position 3	270kg	1140mm
Position 4	250kg	1260mm
Weight (without counterweights)	122kg	
Weight (with counterweights)	408kg	
Counterweights	13	

Key Features

- Capacity: 330kg
- Maximum hook height of 2.7m
- Hydraulic lifting arm
- Optional electric hoist for raising loads from the ground up
- Lockable rear wheels
- Easily assembles and disassembles for transport by van
- Vacuum lifter hired/sold separately
- Weight: 408kg (with counterweights)



Technical Data (mm)



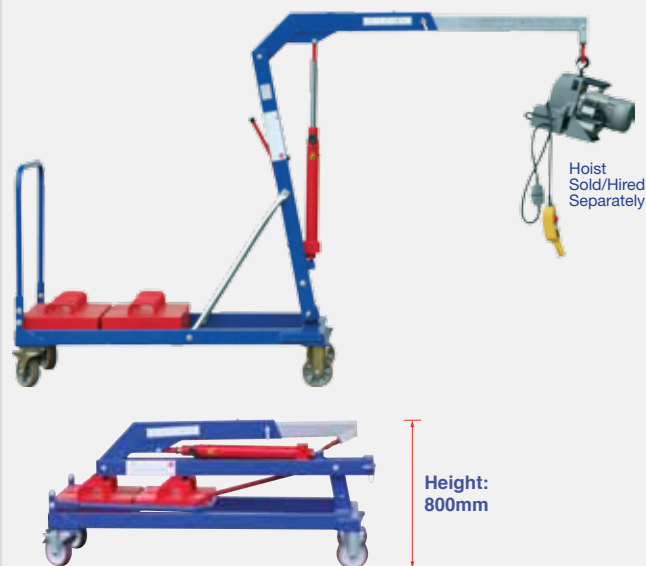
Note: Weights must be secured before lifting



Glassboy 500 [500kg]

With a lifting capacity of up to 500kg and a maximum hook height of 2.7m, the Glassboy 500 is a compact and lightweight crane that can be used between floors for raising loads from the ground with its optional electric hoist.

The Glassboy 500 can assist with a broad range of lifting applications. It is ideal for shop-front glazing and fitting below overhangs when used in conjunction with below-the-hook devices such as GGR Group's range of vacuum lifters.



Hoist Sold/Hired Separately

Height: 800mm

Technical Specifications

	Capacity	Arm Extension
Position 1	500kg	900mm
Position 2	420kg	1020mm
Position 3	370kg	1140mm
Position 4	300kg	1260mm
Weight (without counterweights)	134kg	
Weight (with counterweights)	706kg	
Counterweights	26	

Key Features

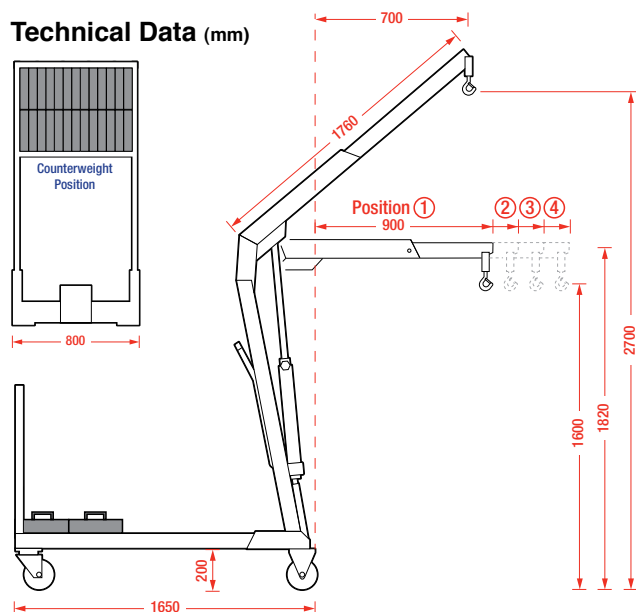
- Capacity: 500kg
- Maximum hook height of 2.7m
- Hydraulic lifting arm
- Optional electric hoist for raising loads from the ground up
- Lockable rear wheels
- Easily assembles and disassembles for transport by van
- Vacuum lifter hired/sold separately
- Weight: 706kg (with counterweights)

Reference Code

MCO16



Technical Data (mm)



Note: Weights must be secured before lifting

