

Compact & Lightweight

MT1 Single Circuit [70kg] MT2 Dual Circuit [135kg]

Make glass lifting safer and easier with the reliable MT1 and MT2 lightweight vacuum lifter range.

Proven to be popular aids in the glazing, construction, automotive, manufacturing and transport industries, these lifters have the flexibility to lift metal, plastic, ceramic and composite materials.

Offering more lifting power than everyday manual hand cups, these small powered lifters are designed to be used as below-the-hook attachments and help to reduce the risk of injury normally associated with manual glass handling.

Key Features

- Capacity: 70kg (MT1), 135kg (MT2)
- Single circuit vacuum system with reserve tank, non-return valve and vacuum gauge (MT1)
- Dual circuit vacuum system with reserve tank, non-return valve and vacuum gauge for each circuit (MT2)
- 90° manual tilting from vertical to horizontal
- Integral maintenance-free vacuum pump
- 12v rechargeable battery with integral 110v or 240v charger and battery energy gauge
- Audio-visual low vacuum warning
- On-board control panel



Technical Specifications

		MT1 single circuit	MT2 dual circuit
Safe working load (smooth, clean surface at 60% vacuum)	capacity:	70kg	135kg
Number of suction cups	cups:	1	2
Suction cup	description:	black rubber, not abrasion resistant	
Suction cup diameter	diameter:	280mm	
Suitable for lifting	material properties: surface: example:	gastight / non-porous smooth glass, plastic boards, ceramic plates, sheet metals, coated boards	
Weight of lifter	approx:	17kg	24kg
Depth of lifter	depth:	230mm	244mm
Tilt	tilt:	90° manual	90° manual
Vacuum system	type:	single circuit	dual circuit (1 pump, 2 vacuum reserve tanks)
Voltage	pump: battery charger:	12v DC from rechargeable battery 110v/240v 50/60Hz single phase factory selectable	
Optional accessories	stone pads: curved pads: special pads:	68kg capacity 68kg capacity low marking & heat resistant pads available	135kg capacity 135kg capacity

Vacuum Lifter

MT1 Single Circuit & MT2 Dual Circuit



MT1
Single Circuit

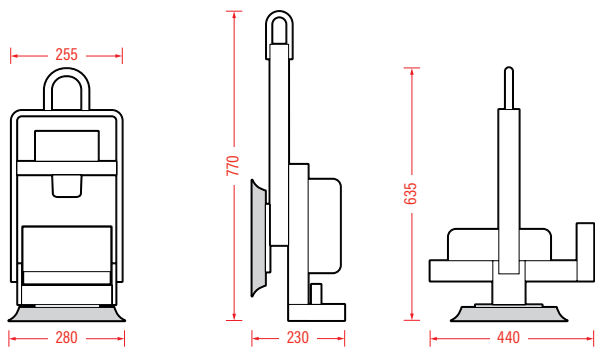
Reference Code
VGL01



MT2
Dual Circuit

Reference Code
VGL03

Technical Data - MT1 (mm)



Technical Data - MT2 (mm)

